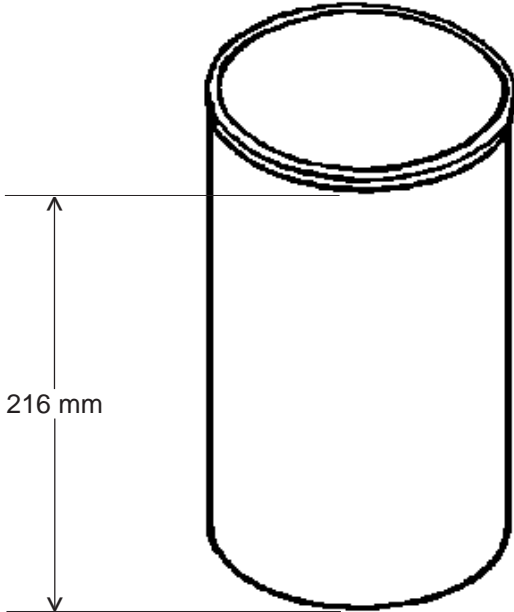


DATE: JUNE 30, 1995
TO: UD DEALER SERVICE MANAGER
FROM: SERVICE OPERATIONS DEPARTMENT
SUBJ: FE6 / FE6T / FE6TA CYLINDER LINER CHANGE
FILE: POLICY SECTION OF THE TECHNICAL BULLETIN BINDER

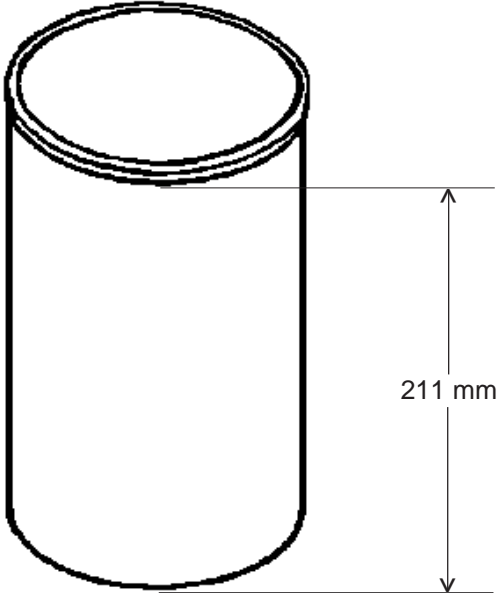
CHANGE NOTICE:

The cylinder liner used in the FE6TA engine has changed. The change to the cylinder liner became effective September, 1992 beginning with engine serial number FE6TA - 104883.

The new cylinder liner is now 5 mm *shorter* than the previous version. Refer to the figures below.



FORMER VERSION (11012 - Z5605)



NEW VERSION (11012 - Z5609)

INTERCHANGABILITY:

YES... The cylinder liners are completely interchangeable in any FE6/FE6T/FE6TA cylinder block.

FOR THE INDICATED PERSONNEL BELOW, PLEASE READ, INITIAL, AND ROUTE TO THE FOLLOWING:					
<input checked="" type="checkbox"/>	SERVICE MANAGER		WARRANTY MANAGER	<input checked="" type="checkbox"/> SERVICE TECHNICIANS INITIAL BELOW:	
<input checked="" type="checkbox"/>	PARTS MANAGER	<input checked="" type="checkbox"/>	SHOP FOREMAN		